

WHAT'S IN YOUR BOX?

NAPA® Echlin® ABS Sensors are premium quality and engineered to perform like the original.

NAPA® Echlin® ABS speed sensors are designed to provide consistent performance, matching the OE for form, fit, and precision function.

Features such as superior magnetic circuit materials are engineered into our sensors to deliver higher voltage output preventing ABS system failure.

Superior design is one reason our ABS sensors perform equal to or better than the original.

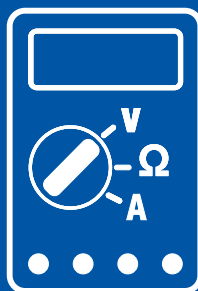
What's inside the NAPA® Echlin® box... advanced engineering, extensive testing and over 100 years of experience. What's in your box?

It's this attention to detail that ensures every NAPA® Echlin® ABS speed sensor meets or exceeds the original it's replacing for performance and durability.



2,500+
SKUs

More than 2,500 SKUs and 96% coverage for domestic and import applications

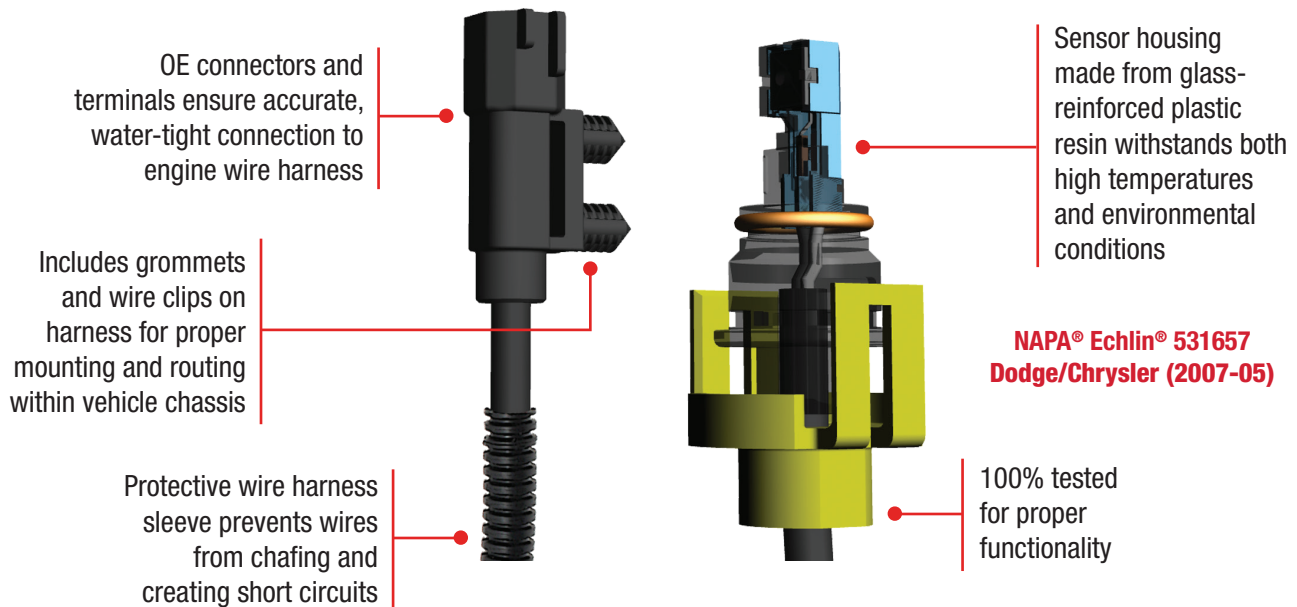


ABS sensors perform flawlessly matching the OE for form, fit, and critical function



Superior quality control with extensive laboratory and real-life ABS sensor testing

We include the quality and extras you need to ensure a proper install.



Rigorous ABS Sensor testing means a more reliable sensor.

We perform **extensive laboratory and real-life testing** that includes evaluating the following:

- Shaft speed vs. delta voltage
- Output voltage and variation to OE
- Magnetic field strength and air gap
- Output wave form and pulse width

HOW DOES THE COMPETITION MEASURE UP?

The competition didn't physically match and measured 29-51% lower voltage output when compared to the GM sample, leading to potential system failure. In the Ford test, the competition measured 45-74% lower voltage, with resistance & inductance flaws that result in poor performance.

NAPA® Echlin® ABS sensors delivered a more consistent signal output performance matching OE for output voltage, resistance, and all critical measurables.

NAPA® Echlin® LIC Laboratory, 2020



530581 (2002-97)



530916 (2009-95)