



# ECHLIN®

## VVT SPROCKETS & SOLENOIDS

### WHAT'S IN YOUR BOX?

**NAPA® Echlin® delivers premium quality VVT solenoids and sprockets with improvements over the original.**

The NAPA® Echlin® VVT lineup features design improvements over the OE. We deliver a line of high-quality, long-lasting VVT components that are designed and manufactured for superior performance under all operating conditions.

**What's inside the NAPA® Echlin® box... advanced engineering, a precise attention to details and over 100 years of experience. What's in your box?**

Premium quality VVT components are manufactured at NAPA® Echlin® Poland, our most advanced design, engineering, and manufacturing facility. With 60+ engineers on-site, we introduce more than 110 new products each year.

NAPA® Echlin®-manufactured VVT solenoids & sprockets undergo extensive measurement and life testing plus a full spectrum of environmental analysis that includes thermal shock, thermal cycling, salt spray, vibration, storage tests, and more.

This unwavering commitment to quality ensures that every VVT component measures up to real-world conditions.



**500+**  
**SKUs**

The most comprehensive VVT line in the aftermarket

**PREMIUM  
QUALITY**

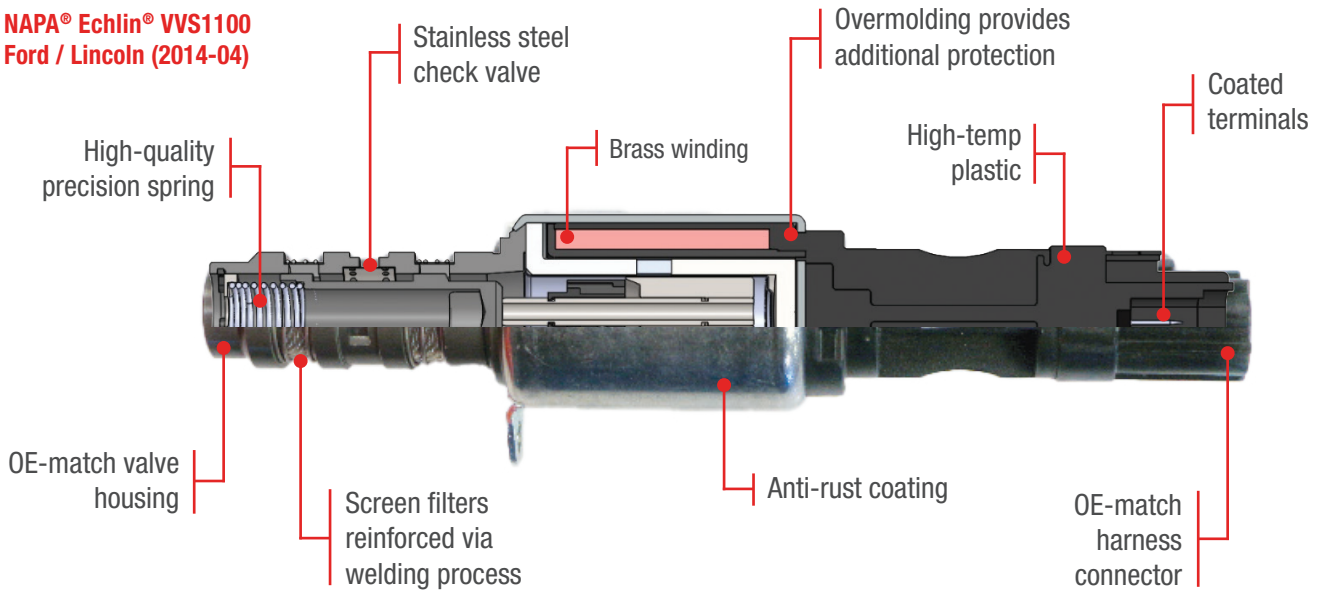
Many of our VVTs include value-adds such as gaskets for a trouble-free install

**100%**  
**TESTED**

Our extreme testing regimen ensures precise performance and longevity

# NAPA® Echlin® VVT solenoid features an improved screen stamp plus welded reinforcement.

**NAPA® Echlin® VVS1100**  
Ford / Lincoln (2014-04)



# NAPA® Echlin® VVT sprocket integrated paddle design improves on the original.

Better performance in timing phase response, oil loss, and working life of locking pin and overall component

Better match and correct tolerance

**NAPA® Echlin® ECP1100**  
Ford / Lincoln (2014-04)

OE-style installation bolts included with sprocket for ease of installation

New re-designed coil spring

No friction between sprocket and rotor



## Improved all-metal integrated design

- Larger contact area
- No paddle to wear out
- Fast response times
- Improved performance
- Longer service life